



PSL4

Industry Standards

UL 508, Types 12 & 13
CSA Certified, Types 12 & 13
NEMA/EEMAC Type 12 & 13
JIC EL-1-71

 UL Files E64791

 CSA File LL66078

FEATURES-SPECIFICATIONS

Applications

Designed to hold all standard brands of pushbuttons, switches and pilot lights. Provides protection from dust, dirt, oil and water. This "Slimline" model is designed for conditions where enclosures must fit within very limited areas.

Construction

- Fabricated from 14 gauge steel
- Continuously welded seams ground smooth

- Closed cell oil resistant neoprene gasket
- External mounting plates, top and bottom of enclosure
- Captivated cover screws thread into sealed wells
- Standard 4-way pushbutton holes accept all brands of oil-tight push-buttons, switches and pilot lights
- Grounding provisions provided

Finish

- ANSI-61 gray polyester powder inside and out over phosphatized surfaces

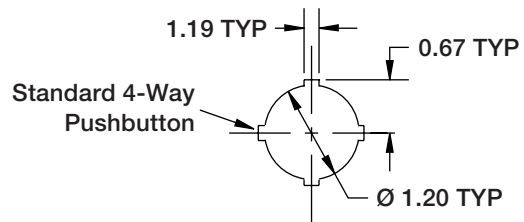
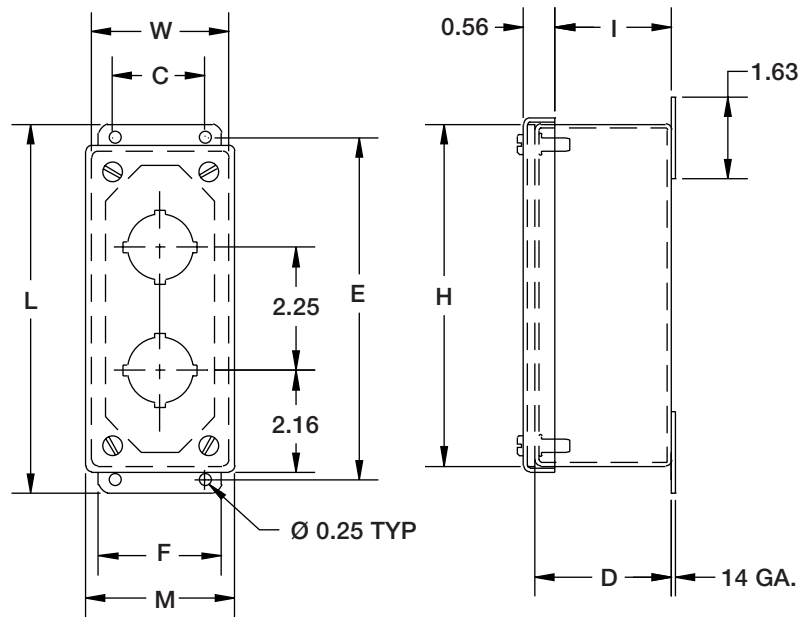
Accessories

- See pages J1-J19

PSL SERIES OPERATOR INTERFACE 30.5MM PUSHBUTTON ENCLOSURES

CATALOG NUMBER	BODY/DOOR STEEL GAUGE	ENCLOSURE SIZE H X W X D	MOUNTING C X E	OVERALL L X M	F	I
PSL1	14/14	4.00x2.50x2.50 (102x64x64)	1.63x4.50 (41x114)	5.00x2.81 (127x71)	2.25 (57)	2.09 (53)
PSL2	14/14	6.25x2.50x2.50 (159x64x64)	1.63x6.75 (41x171)	7.25x2.81 (184x71)	2.25 (57)	2.09 (53)
PSL3	14/14	8.50x2.50x2.50 (216x64x64)	1.63x9.00 (41x229)	9.50x2.81 (241x71)	2.25 (57)	2.09 (53)
PSL4	14/14	10.75x2.50x2.50 (273x64x64)	1.63x11.25 (41x286)	11.75x2.81 (298x71)	2.25 (57)	2.09 (53)





PSL Hole Arrangements

